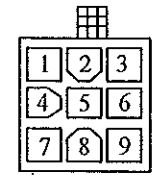


No.	Item	Symbol	Unit	Specification	No.	Item	Symbol	Unit	Specification
1	Drive	-	-	3 ϕ 220VAC	13	Rotor Inertia	J-M	kg-cm ²	0.67 \pm 10%
2	Cooling Method	-	-	Totally Enclosed	14	Rated Power Rate	Q-R	Kw/s	24.07
3	Exciting Method	-	-	Permanent Magnet	15	Resistance	Ra	Ω	3.15 \pm 10%/2 ϕ
4	Resolution	-	-	17 Bit-Inc	16	Inductance	L	mH	11 \pm 10% / 2 ϕ
5	Rated Output	P-R	W	400	17	Mech. Time Constant	Tm	ms	1.24 \pm 10%
6	Rated Torque	T-R	N-m	1.27	18	Elect. Time Constant	Te	ms	3.49 \pm 10%
7	Max. Torque	T-max	N-m	3.81	19	Insulation Class	-	-	Class F
8	Rated Speed	N-R	rpm	3000	20	Operation Temp.	T	$^{\circ}$ C	0~40
9	Rated Current	I-R	A	2.6 Δ	21	Operation Humd.	RH	%	<80
10	Max. Current	I-max	A	8.1	22	Storage Temp.	T	$^{\circ}$ C	-20~-60 $^{\circ}$
11	Torque Constant	Kt	N-m/A	0.47	23	Storage Humd.	RH	%	<80
12	Voltage constant	Ke	V/Krpm	32.78 \pm 10%	24	Weight	W	kgw	1.53

Motor Wiring

1	U	Red
2	V	White
3	W	Black
4	F/G	G/Y



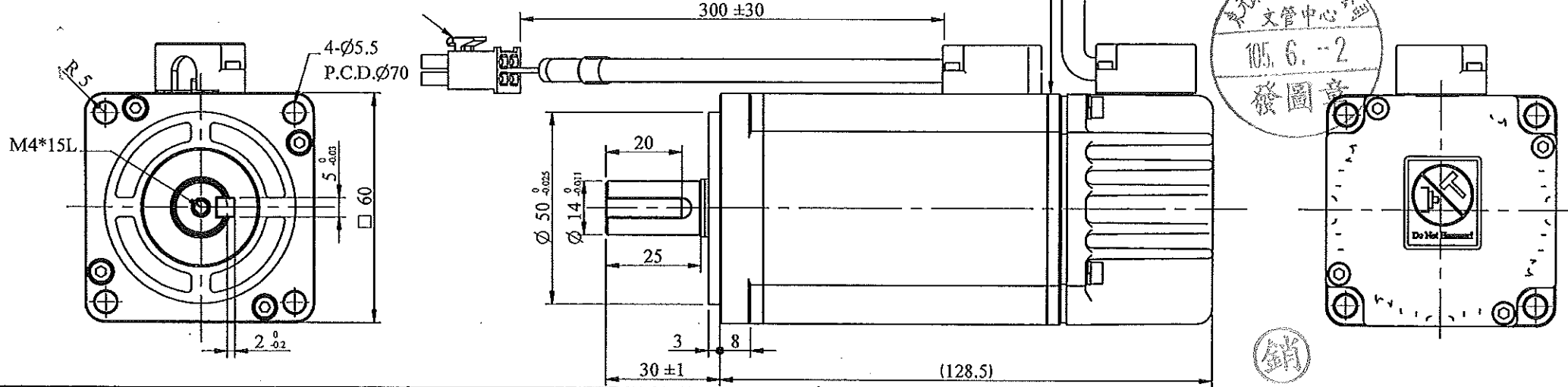
Encoder Wiring

1	Vcc	White
2	GND	Black
3	-	-
4	-	-
5	SD+	Blue
6	SD-	Purple
7	-	-
8	-	-
9	FG	Shield

Notes:
 1. Motor to be IP67
 (excluding the shaft opening & connectors)
 2. Encoder shield wire to be grounded to the motor.

AC SERVO MOTOR
 Model: JSMA-PBC04A7K
 Pr: 0.4 KW ; Nr: 3000 rpm
 Ir: 2.6 A , Tr: 1.27 N-m
 NO.
TECO ELECTRIC MACHINERY
 CO., LTD. MADE IN TAIWAN

PIN:AMP 170360-1
 HOUSING:AMP 172167-1



STANDARD TOLERANCE				APVD	ZS	SCALE	2/3	UNIT	m m	NAME	SERVO MOTOR OUTLINE DRAWING		
X	\pm 0.5			CHKD	Mirchelle	3RD .A.P				TITLE	JSMA-PBC04A7K		
.X	\pm 0.2			CHKD									
.XX	\pm 0.05												
ANGLE	\pm 30'	01	IS16526-01	Leon	05-26-'16	DWN	Leon	03-16-'16			Dept Design	DWG.NO.	D01E06401C3N73D01